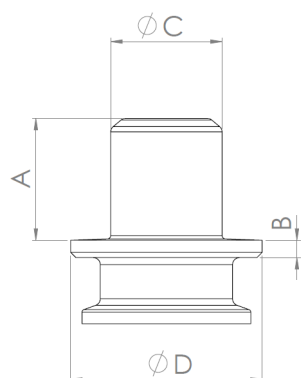


Zero-g

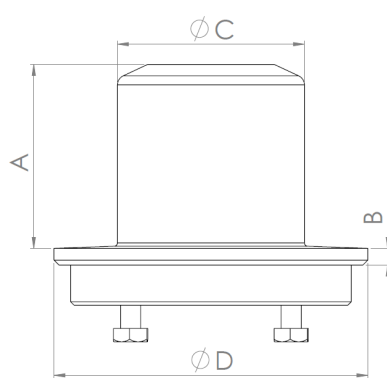
Tank Plate Welded

Zero-g mixers are the base line of Metenovas mixer program. They are very versatile and covers a vast range of applications all through the process chain.

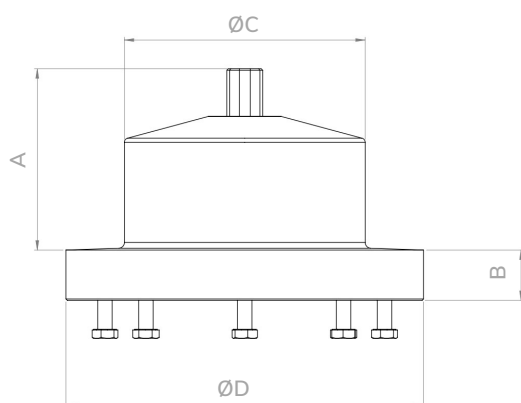
General
Mixing
Applications



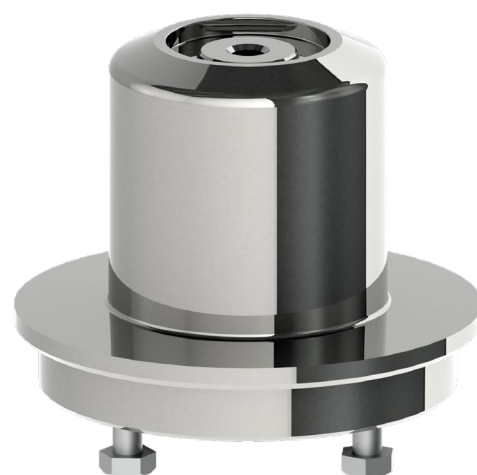
ZG1-ZG2



ZG3-ZG10



ZGX11



Measurements

Mixer model	Article Number	A mm (in)	B mm (in)	ØC mm (in)	ØD mm (in)	Weight kg (lb)
ZG1, ZG2	ZG00506-00838	35 (1.38)	5 (0.20)	32 (1.26)	55 (2.17)	0.3 (0.7)
ZG3	ZG12506-00206	45 (1.77)	5 (0.20)	56 (2.20)	94 (3.70)	0.9 (2.0)
ZG5	ZG52506-00079	55 (2.17)	5 (0.20)	56 (2.20)	94 (3.70)	0.9 (2.0)
ZG6	ZG13506-00117	56.5 (2.22)	5 (0.20)	64 (2.52)	104 (4.09)	1.2 (2.6)
ZG7	ZG23506-00288	60 (2.36)	5 (0.20)	87 (3.43)	129.5 (5.10)	1.6 (3.5)
ZG8	ZG53506-00343	63 (2.48)	5 (0.20)	106 (4.17)	159.5 (6.28)	2.7 (6.0)
ZG9	ZG14506-00504	75 (2.95)	5 (0.20)	146 (5.75)	199.5 (7.85)	4.3 (9.5)
ZG10	ZG24506-00613	80 (3.15)	5 (0.20)	176 (6.93)	229.5 (9.04)	6.2 (13.7)
ZGX11	ZGX34506-07328	126 (4.96)	35 (1.38)	168 (6.61)	249.5 (9.82)	11.9 (26.28)

General Information

Material	Stainless Steel ASME TP 316L acc. to SA-479 & EN 1.4404 acc. to EN 10272 (Other materials are available upon request)
Inspection Certificate	EN 10204 Type 3.1
Surface Roughness	Ra ≤ 0.38 µm (15 µin)
Surface Treatment	Manually polished. Non animal origin polishing compounds are used.
Operating Temperature	5°C - 150°C (41°F - 302°F)
Design Pressure	ZG1 – ZG10: -1 – 10 barg (-14.5 – 145 psig); ZG11: -1 – 7 barg (-14.5 – 101,5 psig)
Operating Pressure	-1 – 7 barg (-14.5 – 101.5 psig)
Packing and Marking	Items are individually packed and for traceability purposes marked with item & id no.
Quality Assurance	Metenova Quality Assurance system ensures the quality and traceability at all stages of the process.

Product key

Complete item number with add-on

ZGXXXX-[]XXXXX []= 0, A, B, C, D, E

Material Code	Standard Material
0	Stainless Steel ASME TP 316L acc. to SA-479 & EN 1.4404 acc. to EN 10272 UNS S31603
Optional Material (Add on)	
A	Stainless Steel ASME TP 316L acc. to SA-479 UNS S31603; EN 1.4435 acc. to EN 10272 (PED)
B	Stainless Steel 904L/EN 1.4539 ASME SB-649 UNS N08904; EN10272 (PED)
C	Alloy C-22 acc to ASME SB-574 UNS N06022; W.nr 2.4602
D	Alloy C-276 acc to ASME SB-574 UNS N10276; W.nr 2.4819
E	AL-6XN UNS N08367; ASME SB-691



A REPLIGEN COMPANY

Metenova AB
Norra Ågatan 32, SE-43135
Mölnadal, Sweden
Phone +46(0)31 3359500
www.metenova.com
info@metenova.com

Metenova America INC
P.O Box 398
Glen Gardner, NJ 08826
USA
Phone +1(908)537 4199
info@metenova.com